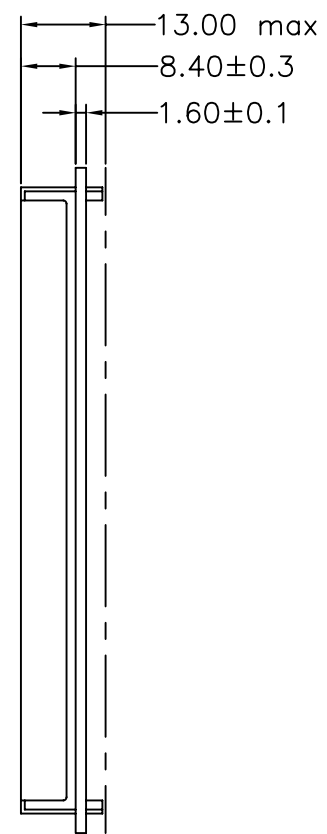
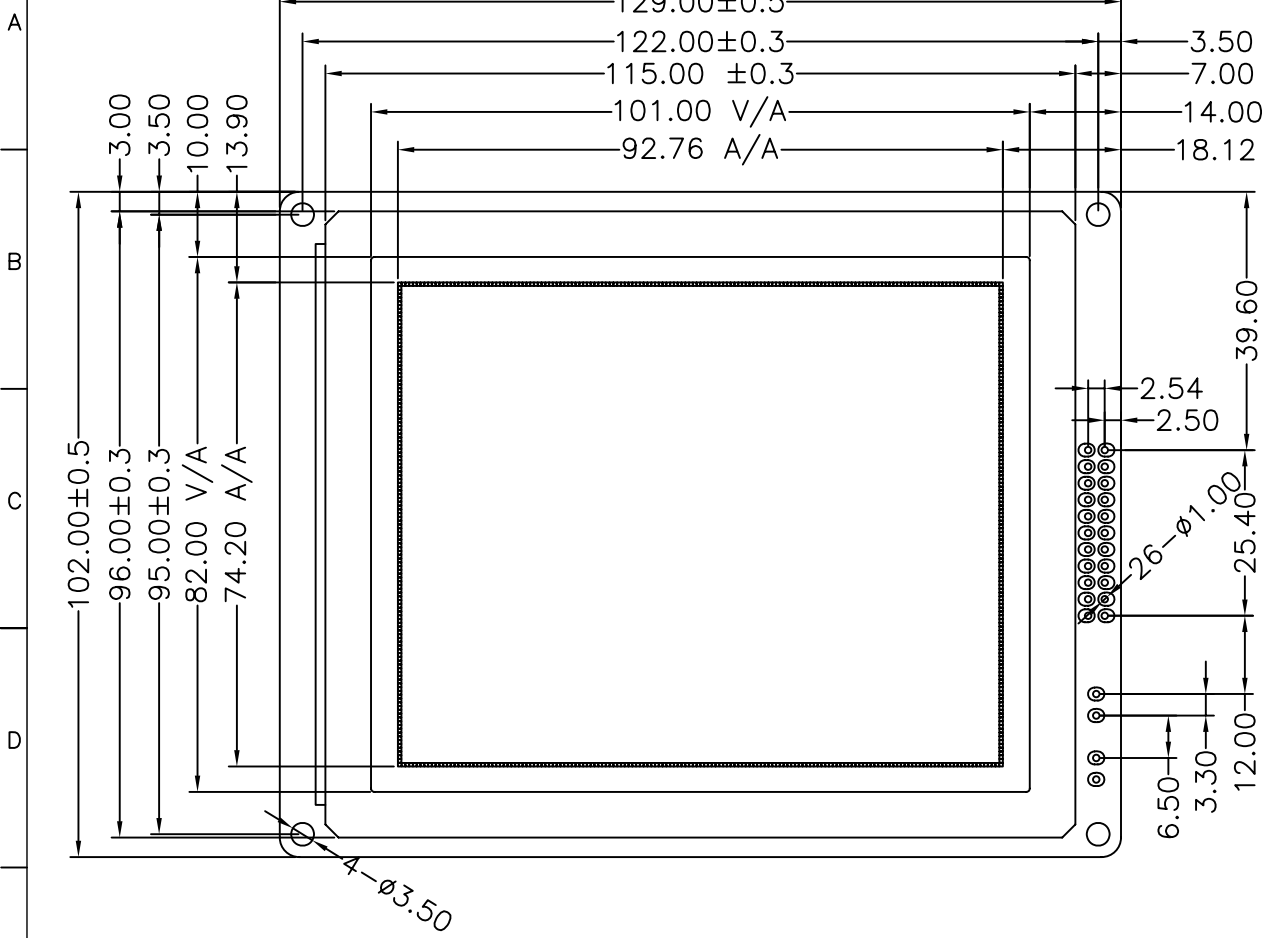
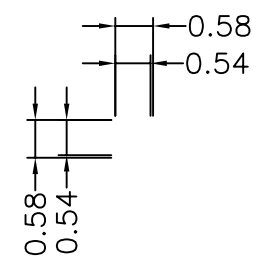


REV.	CHANGE CONTENT	BY	DATE



**INTERFACE**

PIN NO.	Symbol
1	FG
2	VSS
3	VDD
4	V0
5	VEE
6	/WR
7	/RD
8	/CE
9	C/D
10	/HALT
11	/RST
12-19	D0-D7
20	NC
21	LED+
22	LED-



- NOTE:
- 1.DISPLAY TYPE:STN-BLUE-NEGATIVE
  - 2.VIEWING DIRECTION: 6:00
  - 3.POLARIZER MODE: TRANSMISSIVE
  - 4.DRIVING METHOD :1/128DUTY, 1/12BIAS
  - 5.LCD DRIVING VOLTAGE : Vop=18.0V(REF.)
  - 6.OPERATING TEMP.: -20°C~+70°C
  - 7.STORAGE TEMP.: -30°C~+80°C
  - 8.LOGIC VOLTAGE :VDD=5.0V
  - 9.LCD CONTROLLER : SAP1024B
  - 10.BACKLIGHT : WHITE-LED,Vf=5.0v,If<160mA

<p>华远显示</p>	<p>深圳市华远显示器件有限公司</p>					DRAWING No. : HYG16012801C-bt62L-VA	
						DRAWING TITLE: LCM DRAWING	
						FILE NO. : 8	
	DESIGN	DAP	20110318	STANDARD		REV. : A	SCALE : -
CHECKED			TECHNOLOGY		PROJECTION:	UNIT : MM	
APPROVED			Q. A			SHEET : 1/1	